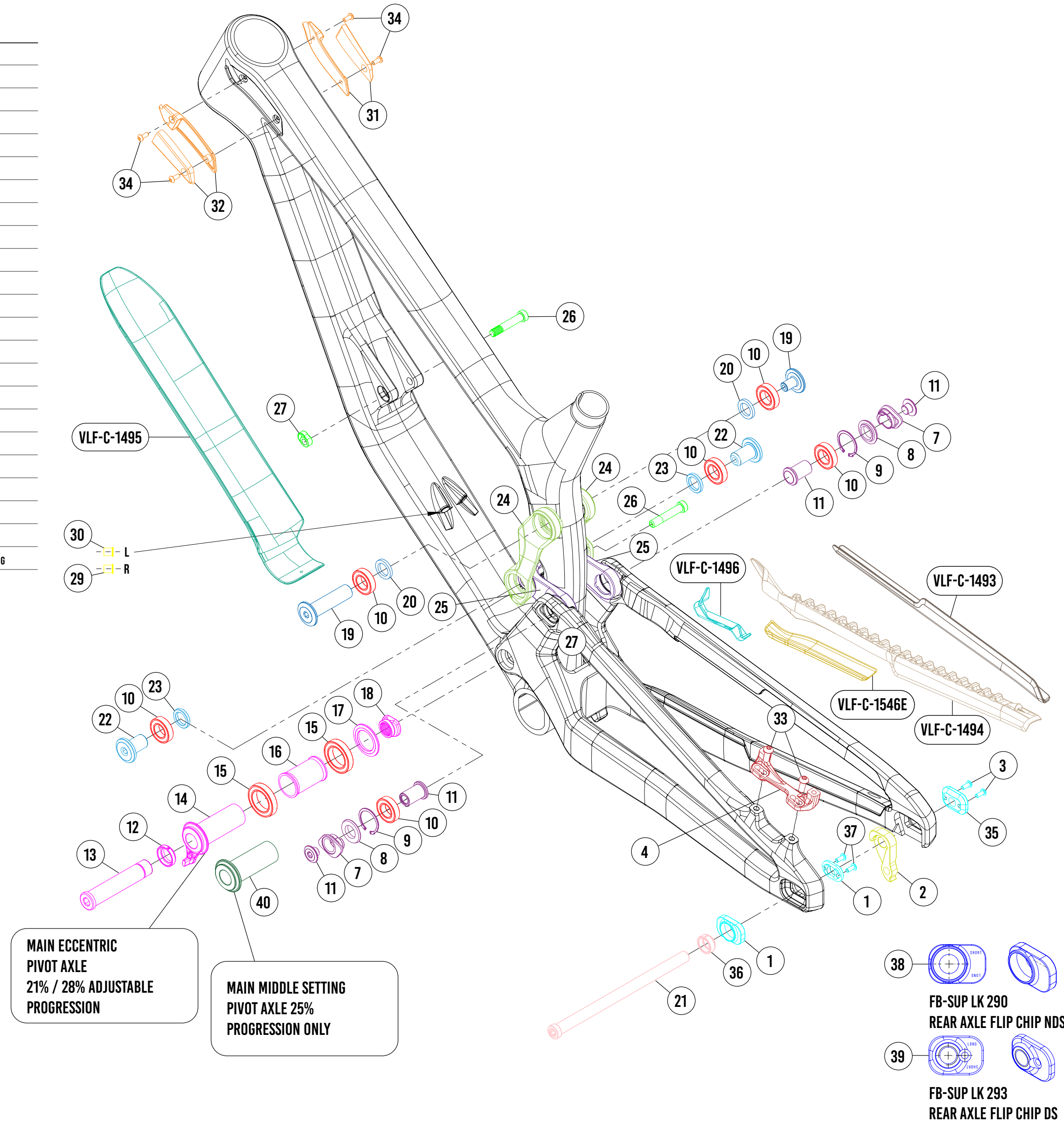
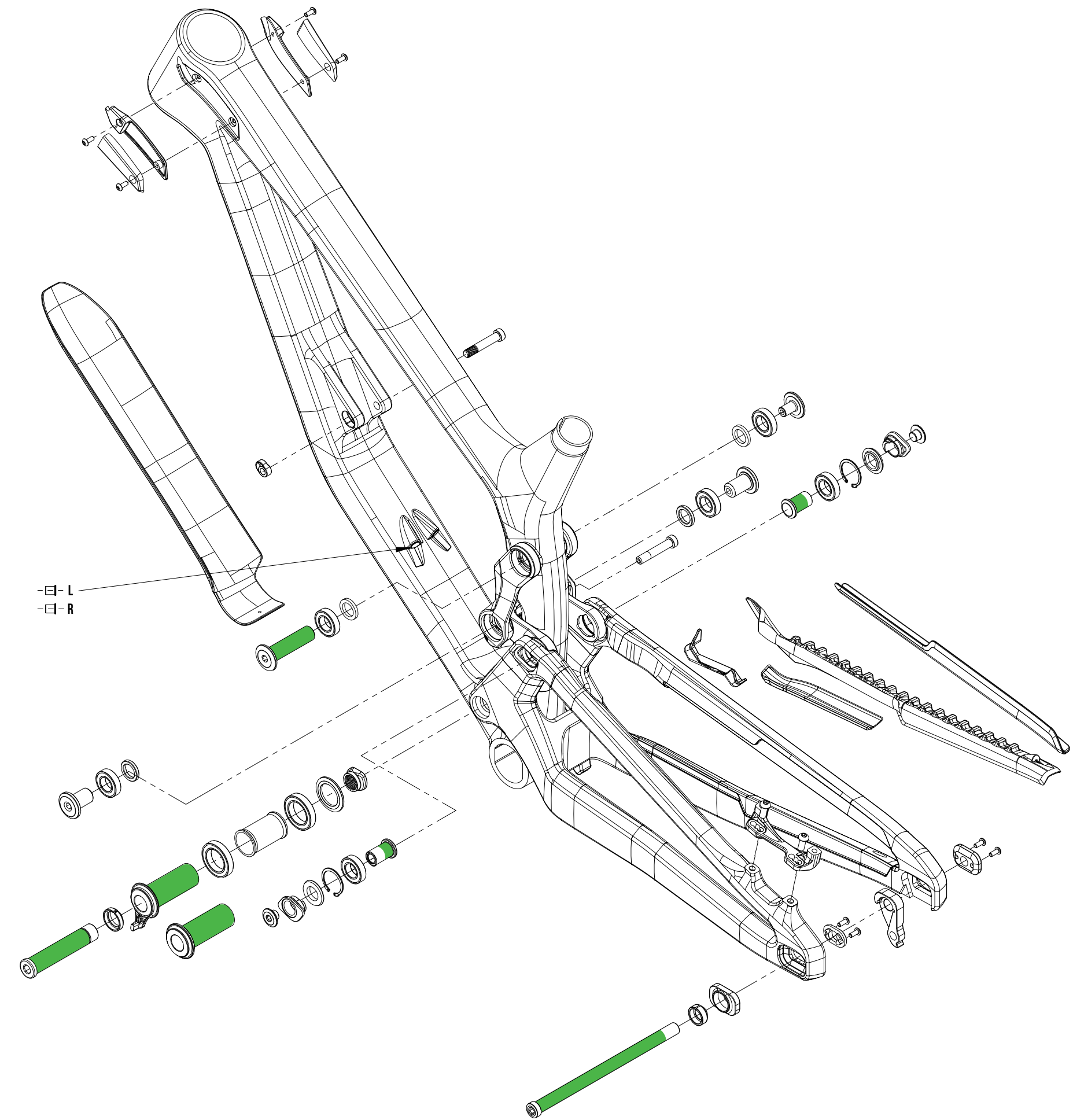
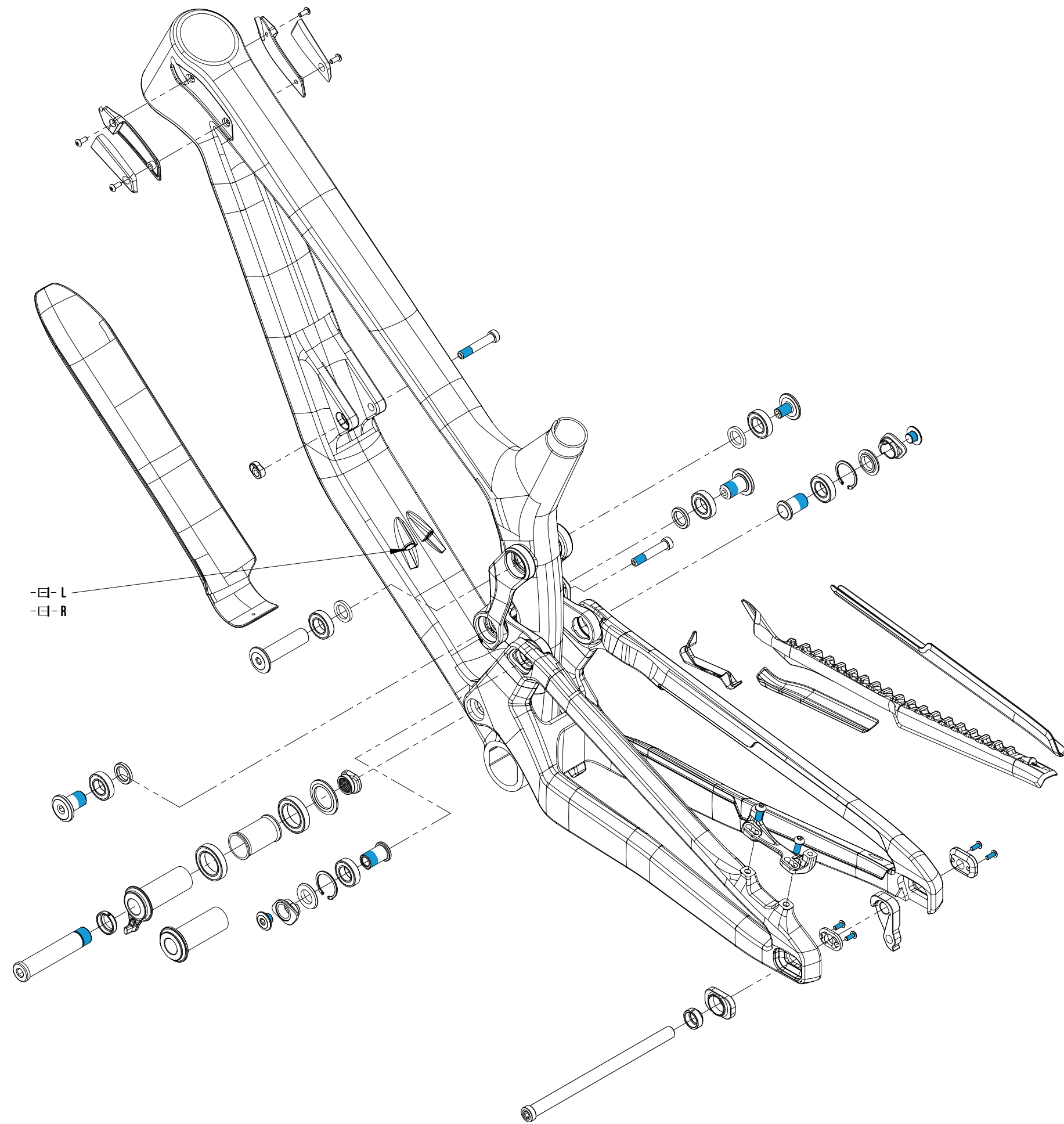


DISSENT	
MATERIAL	T700/800 MONOCOQUE CARBON FIBRE
FORK TRAVEL	200MM
AXLE TO CROWN	602MM
FORK OFFSET	46MM
REAR TRAVEL	200MM
WHEEL SIZE	29"/29" - 29"/27.5"
MAX TYRE SIZE	2.5"
RECOMMENDED SAG MEASURED SEATED	25%
SHOCK SIZE	250X75MM
SHOCK HARDWARE F	25X8MM
SHOCK HARDWARE R	30X8MM
SIZING	"NP1 - S/M NP2 - M/L NP3 - L/XL"
HEADTUBE	56MM SEMI-INTEGRATED ADJUSTABLE
HEADSET	ZS56-28.6MM / ZS56-28.6MM REACH ADJUST
BB	83MM BSA THREADED
BEARINGS REQUIRED	6X 6902 LLU MAX / 2X MR2437
SEATPOST	31.6MM
SEAT CLAMP	36.4MM
REAR HUB	BOOST 157X12MM
REAR AXLE	M12X198MM
BRAKE MOUNT	POST MOUNT 200MM
GUIDE MOUNT	ISCG05
PROTECTION	3D CONTOURED RUBBER FRAME PROTECTION FOR DT/SS/CS/UCS/ISCG



REFERENCE #	#	PART	QTY
DISSENT CARBON BEARING KIT	10	6902-2RS	6
DISSENT CARBON CABLE GROMMET KIT	15	MR2437LLB	2
DISSENT CARBON SHOCK BOLT KIT	29	FB-DA0-138	2
	30	FB-DA0-139	2
DISSENT CARBON SHOCK BOLT KIT	26	FB-SUP-LK116	2
	27	FB-SUP-LK115	1
DISSENT CARBON REAR AXLE MIDDLE FLIP CHIP KIT	1	FB-SUP-LK292	1 SET
	36	FB-SUP-LK291	1
	3	FB-GAN-108	2
	37	FB-GAN-017	2
DISSENT CARBON REAR AXLE SHORT/LONG FLIP CHIP KIT	39	FB-SUP-LK293	1 SET
	38	FB-SUP-LK290	1
DISSENT CARBON MAIN ECCENTRIC PIVOT KIT	12	FB-SUP-LK277	1
	13	FB-SUP-LK278	1
	14	FB-SUP-LK354	1
	16	FB-SUP-LK274	1
	17	FB-SUP-LK275	1
	18	FB-SUP-LK279	1
DISSENT CARBON BRAKE MOUNT KIT	4	FB-GU0-278	1
	33	FB-GAN-114	2
DISSENT CARBON REAR THROUGH AXLE KIT	21	FB-SPE-353	1
	36	FB-SUP-LK294	1
DISSENT CARBON BUMP STOP KIT	31	FB-SUP-LK286	1 SET
	32	FB-SUP-LK287	1 SET
	34	FB-GAN-066	4
DISSENT GEAR HANGER KIT	2	FB-DA-122	1
DISSENT CARBON SWING LINK	24	FB-SUP-LK272	1
DISSENT CARBON HORSE SHOE LINK	25	FB-SUP-LK273	1
DISSENT CARBON REAR HORSE SHOE KIT	7	FB-SUP-LK280	1 SET
	8	FB-SUP-LK282	2
	9	FB-SUP-B29	2
	11	FB-SUP-LK371	2 SETS
DISSENT CARBON UPPER SWING LINK KIT	19	FB-SUP-LK283	1 SET
	20	FB-SUP-LK284	2
DISSENT CARBON FRONT HORSE SHOE KIT	22	FB-SUP-LK289	2
	23	FB-SUP-LK288	2
DISSENT CARBON CHAINSTAY PROTECTOR	VLF-C-1494		1
DISSENT CARBON SEATSTAY PROTECTOR	VLF-C-1493		1
DISSENT CARBON DOWNTUBE PROTECTOR	VLF-C-1495		1
DISSENT CARBON ISCG PROTECTOR	VLF-C-1496		1
DISSENT CARBON UNDERSIDE CHAINSTAY PROTECTOR	VLF-C-1446E		1
DISSENT CARBON MAIN MIDDLE SETTING PIVOT AXLE	40	FB-SUP-LK276	1



TORQUE

PART NAME	NUMBER	TORQUE
FB-SUP LK116	26	15NM
FB-SUP LK283 DRIVE SIDE	19	12NM
FB-SUP LK283 NON-DRIVE SIDE	19	12NM
FB-SUP LK371 INSIDE FRAME	11	21NM
FB-SUP LK371 OUTSIDE FRAME	11	8NM
FB-SUP LK289	22	21NM
FB-SUP LK278	13	25NM
FB-SPE 353	21	10NM

NOTE: USE MEDIUM STRENGTH THREADLOCK
WE RECOMMEND LOCTITE 243

■ THREADLOCK

■ GREASE